

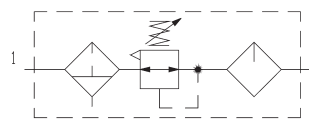
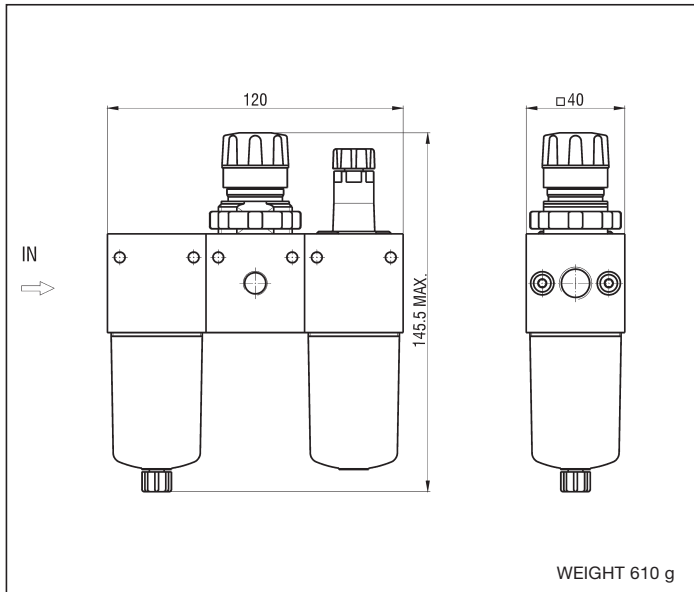
Air treatment: filter + reducer + lubricator G 1/4

series UZ

TECHNICAL DATA

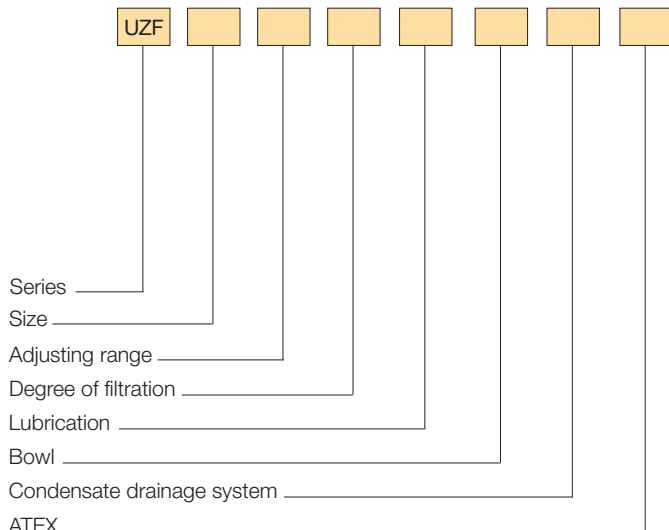
Maximum pressure	16 bar
Working temperature	0 ÷ +50 °C (-10° C with dry air)
Fluid	Compressed air
Port size	G 1/4
Pressure gauge port size	G 1/8
Flow rate at 6 bar ΔP=1 bar	220 NI/min
Wall clamping screws	M4x50


DIMENSIONS AND WEIGHT - F+R+L



4

ORDER KEY



SIZE	
4	G 1/4
DEGREE OF FILTRATION	
/5	5 µm
/40	40 µm
/20	20 µm
ADJUSTING RANGE	
RR3	0,2 ÷ 2 bar
RR7	0,8 ÷ 9 bar
RR5	0,4 ÷ 4 bar
RR12	1,5 ÷ 12 bar
LUBRICATION	
L	Oil mist (standard)
LM	Micro-oil mist
BOWL	
	Trasparent
/TM	Metallic
/PM	Metallic protection
CONDENSATE DRAINAGE SYSTEM	
	Manual
/SS	Semi-automatic
ATEX	
/EX Consistent with the ATEX directive  II 2GD c T5 T100°C -10°C ≤ Ta ≤ 50°C*	

P.S.: Filters + reducers + lubricators can be supplied without the relieving seal on request; the adjusting range becomes "R" (rather than "RR")