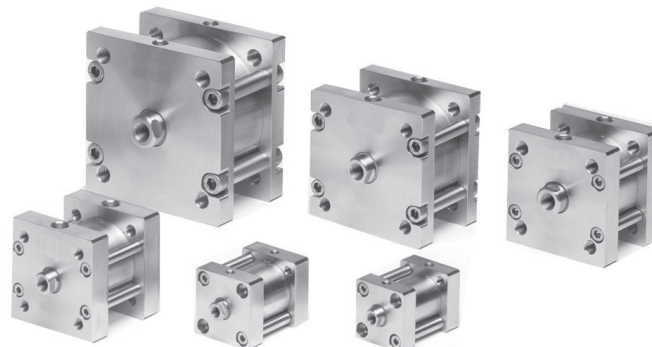


series ABX

Stainless steel
compact cylinders
to ISO 21287 standard

DESCRIPTION

Stainless steel compact cylinders series "ABX" comply with ISO 21287 standard and they are available from Ø20 to Ø100. Besides from Ø125 to Ø200 they are available with end caps distance between centers to ISO 15552 standard. Cylinders series "ABX" have magnetic piston as standard and so they can be supplied with magnetic sensors.



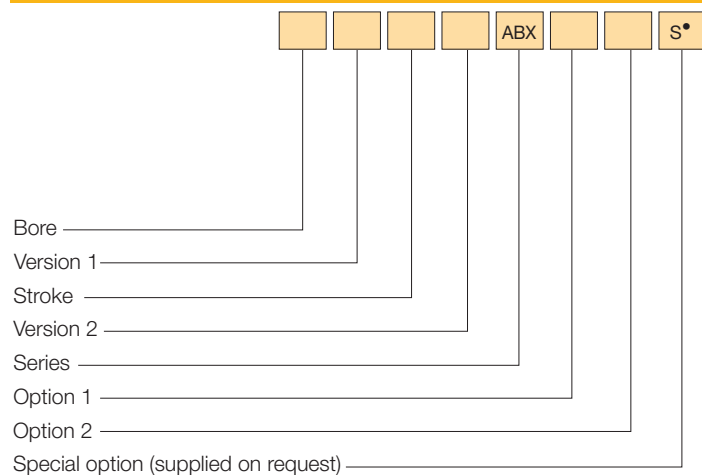
TECHNICAL DATA

Operating pressure	Single acting: 2 ÷ 10 bar Double acting: 1 ÷ 10 bar
Working temperature	0 ÷ +80 °C (with dry air -30 °C) 0 ÷ +200 °C with seals for high temperature (with dry air -10 °C)
Fluid	Compressed air, filtered, continuous lubricated, unlubricated or dry lubricated
Versions	Double acting, Single acting front spring, Single acting rear spring, Through rod
Bore	Ø 20, 25, 32, 40, 50, 63, 80, 100, 125, 160, 200
Port size	Ø 20 - 25 = M5 Ø 32 - 100 = G 1/8 Ø 125 = G 1/4 Ø 160 - 200 = G 3/8
Standard strokes (mm)	10, 25, 50, 75, 100, 125, 160, 200, 250, 300
Maximum strokes (mm)	Ø 20 - 25 = 200 Ø 32 - 40 = 250 Ø 50 ÷ 200 = 300
Max. strokes single acting (mm)	Ø 20 ÷ 100 = 25

MATERIALS

End caps	Ø 20 ÷ 100 = AISI 316 stainless steel Ø 125 ÷ 200 = AISI 304 stainless steel
Cylinder barrel	Ø 20 ÷ 100 = AISI 316 stainless steel extruded tube Ø 125 ÷ 200 = AISI 304 stainless steel extruded tube
Tie rods, tie and rod nuts	Ø 20 ÷ 100 = AISI 316 stainless steel Ø 125 ÷ 200 = AISI 304 stainless steel
Piston rod	Ø 20 ÷ 100 = AISI 316 stainless steel Ø 125 ÷ 200 = AISI 304 stainless steel
Rod nut	Ø 20 ÷ 100 = AISI 316 stainless steel Ø 125 ÷ 200 = AISI 304 stainless steel
Piston rod bearing	Bronze + PTFE
Piston	Aluminium alloy
Seals	Poliurethane FKM (Viton®)
Springs	Zinc-plated springs steel

ORDER KEY



• See Chapter 1, page 1.1.

VERSION 1

/ Basic cylinder R Through rod

VERSION 2

D Double acting Y Single acting rear spring*
S Double acting front spring*

OPTION 1

2 Seals for high temperature**

OPTION 2

7 Male threaded piston rod 8 Female threaded piston rod

* Supplied from Ø 20 ÷ 100.

** Available even with FKM (Viton®) seals but just for application where is needed a chemical compatibility; not available for high temperature.

ORDERS EXAMPLES

Basic cylinder Ø 50, 50 mm stroke, double acting, female threaded piston rod: **50/50 DABX8**

Basic cylinder Ø 32, 25 mm stroke, simple acting front spring, male threaded piston rod: **35/25 SABX7**

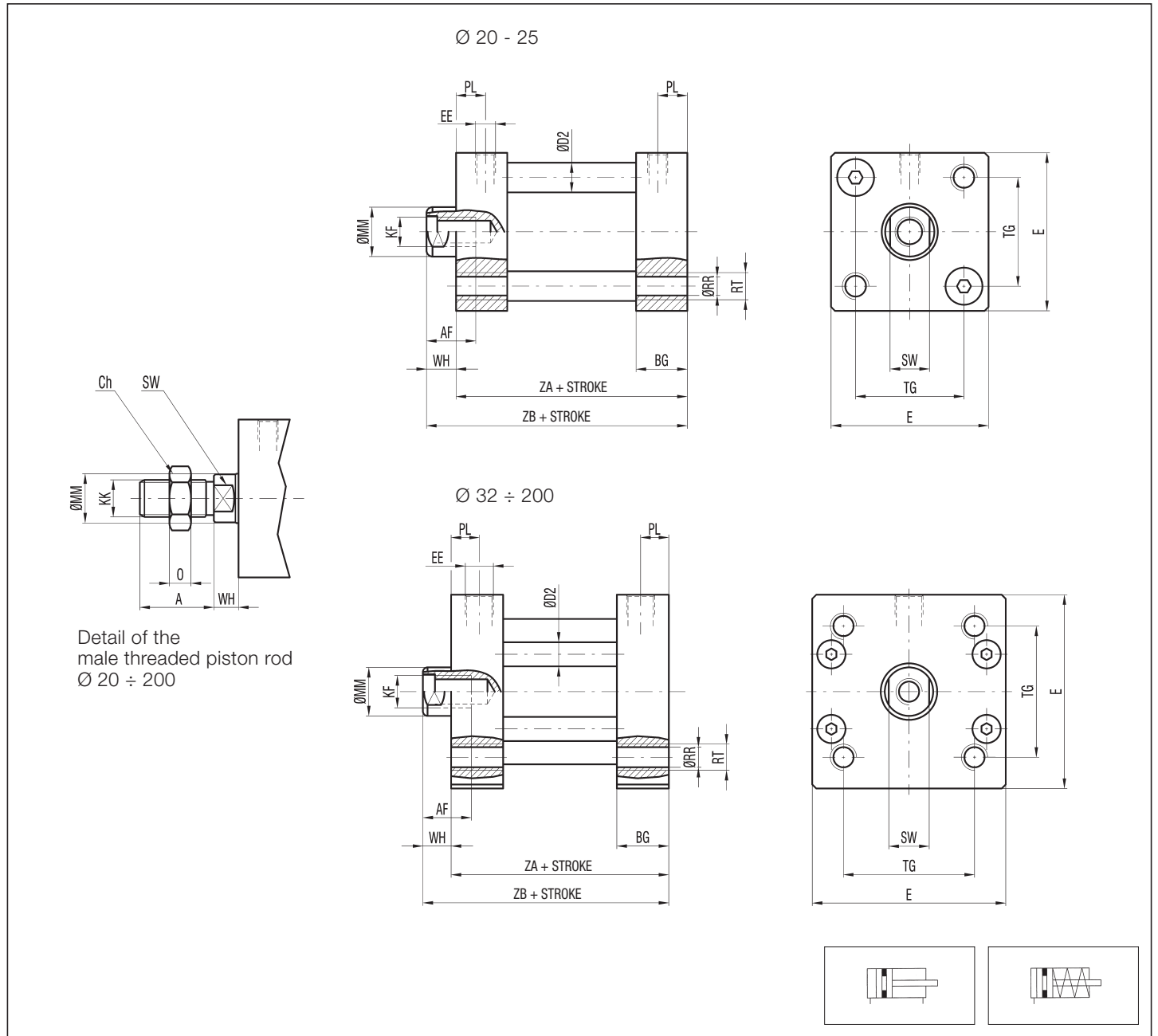
SPARE PARTS

SEALS KIT

Polyurethane
Through rod, polyurethane
For high temperature
Through rod for high temperature

Ø/SG/ABX
Ø/SG/R/ABX
Ø/SG/ABX2
Ø/SG/R/ABX2

ABX BASIC CYLINDER



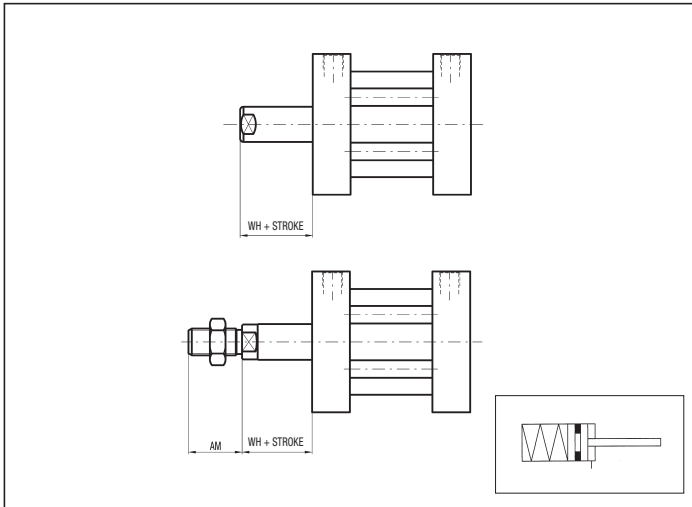
P.S.: Rod nut supplied as standard

DIMENSIONS AND WEIGHTS BASIC CYLINDER

Ø	A	AF	BG	CH	D2	DT	E	EE	KF	KK	LA	MM	O	PL	RR	RT	SW	TG	WH	ZA	ZB	WEIGHT (g)		INCR. (g) x 5 mm
																						A	AF	
20	16	10	10,4	13	6	7,5	32	M5	M6	M8	4,5	10	5	6	4,2	M5	8	22	6	37	43	295	289	8
25	16	10	10,4	13	6	7,5	32	M5	M6	M8	4,5	10	5	6	4,2	M5	8	26	6	39	45	349	343	13,5
32	19	12	12,9	17	6	-	49	G 1/8	M8	M10x1,25	-	12	6	7	5,3	M6	10	32,5	7	44	51	693	674	17,5
40	19	12	13,2	17	6	-	56	G 1/8	M8	M10x1,25	-	12	6	7	5,2	M6	10	38	7	45	52	901	882	19
50	22	16	13,2	19	7	-	66	G 1/8	M10	M12x1,25	-	16	7	7	6,7	M8	13	46,5	8	45	53	1238	1204	27
63	22	16	13,2	19	7	-	78	G 1/8	M10	M12x1,25	-	16	7	7	6,7	M8	13	56,5	8	49	57	1911	1877	38
80	28	20	13,3	30	10	-	98	G 1/8	M12	M12x1,25	-	20	8	7,5	8,5	M10	17	72	10	54	64	2702	2660	57
100	28	24	17,6	30	10	-	116	G 1/8	M12	M16x1,5	-	25	8	9,5	8,5	M10	21	89	10	67	77	4842	4760	72
125	54	25	22	41	10	-	140	G 1/4	M14	M27x2	-	30	12	10	10,2	M12	28	110	10	78	88	8243	7890	97
160	72	30	26	55	12	-	180	G 3/8	M20	M36x2	-	40	14	12	14,2	M16	36	140	12	87	99	16100	15290	147,5
200	72	30	26	55	14	-	220	G 3/8	M20	M36x2	-	40	14	12	14,2	M16	36	175	12	87	99	24250	23440	225

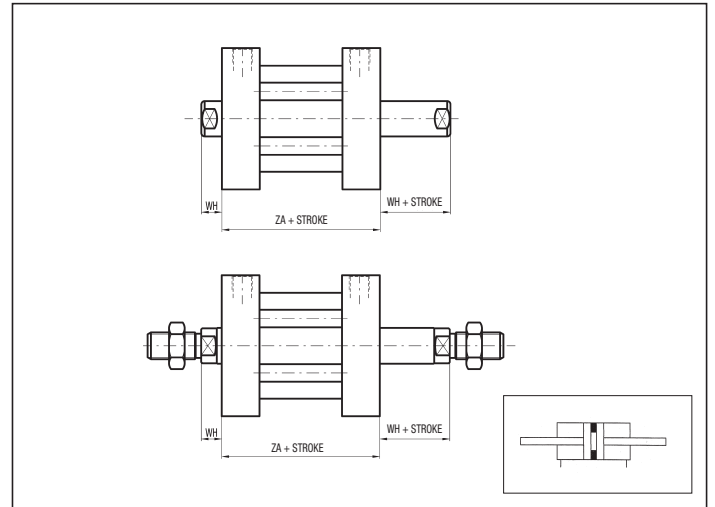
1

SINGLE ACTING REAR SPRING



P.S.: Rod nut supplied as standard

THROUGH ROD



P.S.: Rod nut supplied as standard

P.S.: accessories for series AX can just be used for $\varnothing 32 \div 200$. - See from page 1.52.