

## DESCRIPTION

Twin rod cylinders series "CPA", and their fixing accessories, act as devices against rotation in the presence of torques. They have been designed to be interchangeable with cylinders that comply with ISO 15552 standard (series "X" and "XT") and so they can be used with those standardized rear mountings. The cylinders series "CPA" are supplied cushioned at both ends and with magnetic piston type as standard and, upon request, they comply with ATEX directive, 2GD category.



## TECHNICAL DATA

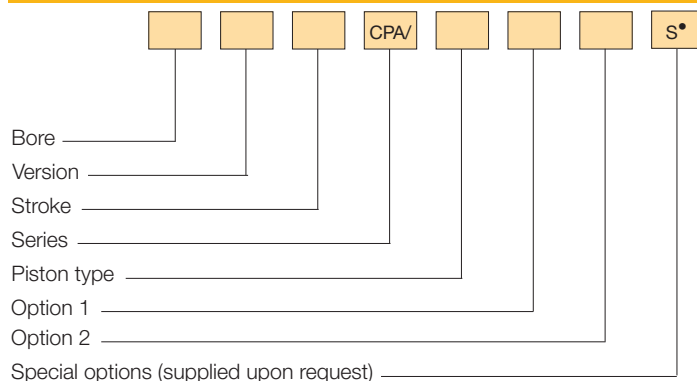
Operating pressure	1 ÷ 10 bar
Working temperature	0 ÷ +80 °C (-20 °C with dry air)
Fluid	Filtered, unlubricated, continuous lubricated or dry compressed air
Versions	Double acting, Through rod to ISO
Bore	Ø 32, 40, 50, 63, 80, 100
Port size	Ø 32 = G 1/8 Ø 40 - 50 = G 1/4 Ø 63 - 80 = G 3/8 Ø 100 = G 1/2
Standard strokes (mm)	25, 50, 75, 80, 100, 125, 150, 160, 175, 200, 250, 300, 320, 350, 400, 500
Decelerators length	Ø 32 40 50 63 80 100 mm 25 25 25 30 35 35
Maximum strokes (mm)	Ø 32 - 40 = 200; Ø 50 - 63 = 350; Ø 80 - 100 = 500

\*Cylinders, with strokes shorter than the decelerators lengths, are NOT cushioned as standard.

## MATERIALS

End caps	Anodized aluminium alloy
Cylinder barrel	Extruded profile, 20µm anodized aluminium alloy
Tie rods and nuts	Steel
Flange	Anodized aluminium alloy
Piston rod	C45 chromium-plated steel AISI 303 rolled stainless steel
Piston rod bearing	Bronze, sintered, self-lubricating
Decelerators ogives	Brass/aluminium alloy
Piston	Aluminium alloy, Dering with magnet
Seals	Polyurethane

## ORDER KEY



• See Chapter 1 on page 1.1.

## VERSION

/ Double acting RA Through rod to ISO

## PISTON TYPE

M Magnetic

## OPTION 1

1 Stainless steel piston rods

## OPTION 2

/EX Consistent with the ATEX directive II 2GD c T5 T100°C -20°C<Ta<80°C

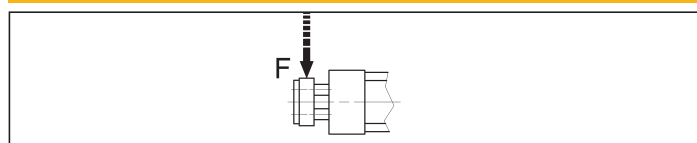
## SPARE PARTS

### SEALS KIT

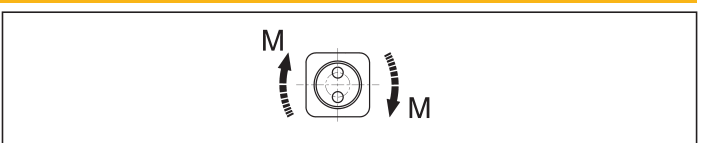
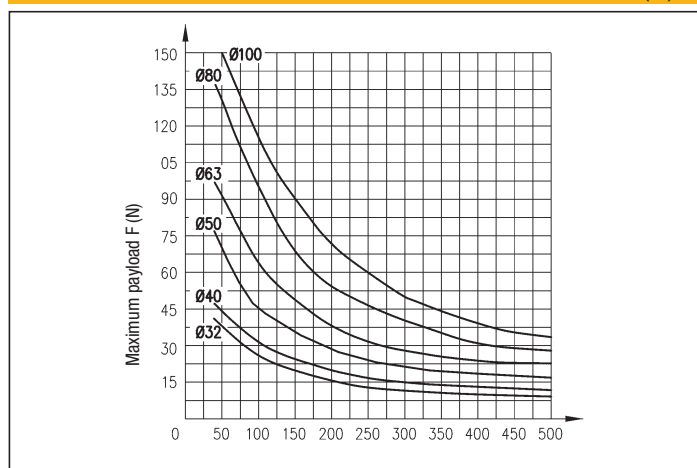
Polyurethane  
Through rod to ISO, polyurethane

Ø/SG/CPA/M  
Ø/SG/RA/CPA/M

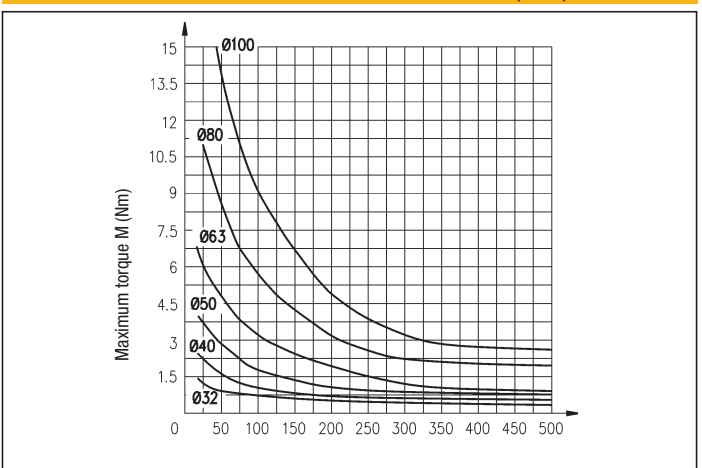
## TECHNICAL DATA



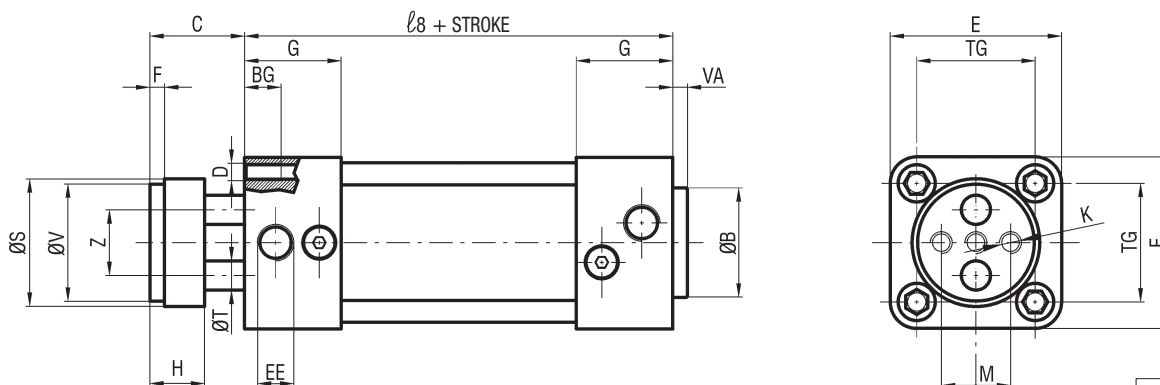
### MAXIMUM PERMISSIBLE TRANSVERSE FORCE "F" (N)



### MAXIMUM PERMISSIBLE TORQUE "M" (Nm)



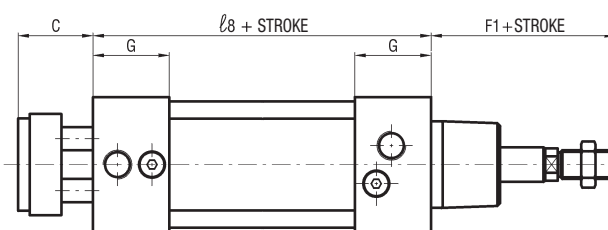
### CPA BASIC CYLINDER



### DIMENSIONS AND WEIGHTS BASIC CYLINDER

$\varnothing$	B	BG	C	D	E	EE	F	F1	G	H	K	$\ell_8$	M	S	T	TG	V	VA	Z	WEIGHT (g)	INCR (g) x 10 mm
32	30	16	26	M6	47	G1/8	4	48	28	15	M6	94	19	35	8	32,5	32	4	18	770	30
40	35	16	30	M6	53	G1/4	4	54	31,5	15	M8	105	22,5	45	10	38	40	4	22	980	43
50	40	16	37	M8	65	G1/4	5	69	31,5	18	M8	106	30	55	12	46,5	50	4	26	1570	70
63	45	16	37	M8	75	G3/8	5	69	35	22	M10	121	38	70	16	56,5	63	4	35	2320	128
80	45	16	46	M10	95	G3/8	5	86	36	22	M12	128	50	85	20	72	80	4	40	3830	132
100	55	16	51	M10	115	G1/2	5	91	41	22	M12	138	70	105	20	89	100	4	50	5600	139

### THROUGH ISO ROD

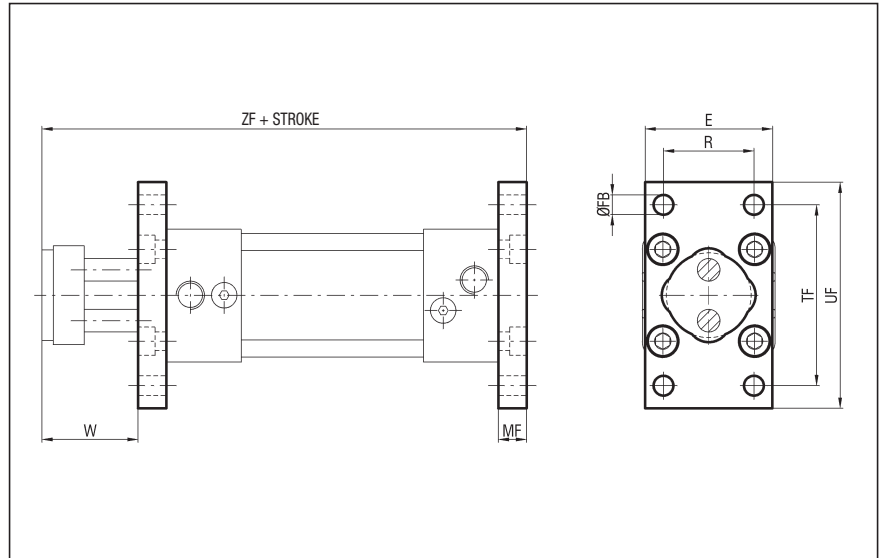


P.S.: Rod nut supplied as standard

FLANGE - STEEL - Ø 32 ÷ 50 - CPUI/F Ø  
(Supplied with screws) - Ø 63 ÷ 100 - CPA/F Ø

Ø	FB H13	E	MF JS14	R JS14	TF JS14	UF	W
32	7	45	10	32	64	80	16
40	9	52	10	36	72	90	20
50	9	65	12	45	90	110	25
63	9	75	12	50	100	120	25
80	12	95	16	63	126	150	30
100	14	115	16	75	150	170	35

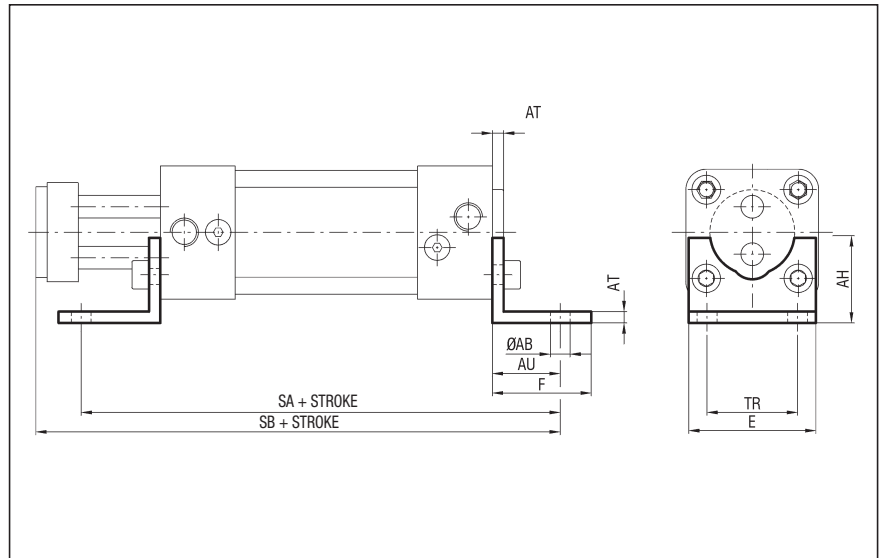
Ø	ZF	WEIGHT (g)
32	130	190
40	145	246
50	155	478
63	170	622
80	190	1430
100	205	1986



FOOT - STEEL - Ø 32 ÷ 50 - CPUI/PB Ø  
(Supplied with screws) - Ø 63 ÷ 100 - CPA/PB Ø

Ø	AB H14	AH JS15	AT	AU	E	F	SA
32	7	32	4	24	45	35	142
40	9	36	4	28	52	36	161
50	9	45	5	32	65	47	170
63	9	50	5	32	75	45	185
80	12	63	6	41	95	55	210
100	14	71	6	41	115	57	220

Ø	SB	TR JS14	WEIGHT (g)
32	144	32	66
40	163	36	78
50	175	45	168
63	190	50	190
80	215	63	382
100	230	75	452



P.S.: REAR MOUNTINGS ACCESSORIES SAME OF THE CYLINDERS SERIES "X" AND "XT" ACCORDING TO ISO 15552 STANDARD (see from page 1.33)