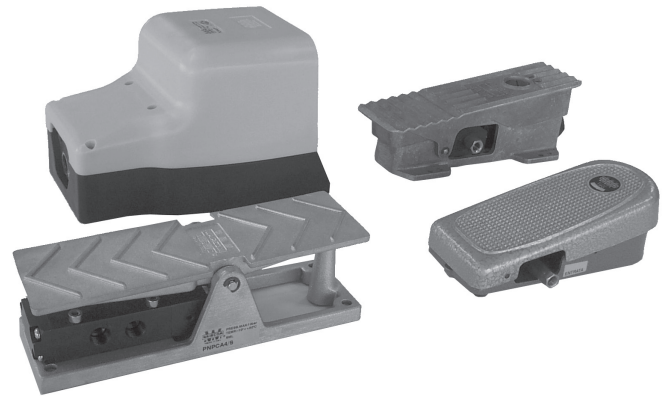


## DESCRIPTION

Pedal actuated valves series "PC" are produced in the 3/2 and 5/2 pneumatic functions, with or without protection, and they are based on direct acting poppet valves and direct acting or pilot assisted spool valves in the sizes G 1/8 and G 1/4.

The catch on the pedal allows obtaining the bistable pneumatic functions, while the safety device avoids the accidental actuation of the same pedal.

They are in compliance with ATEX directive, 2GD category, upon request.



3

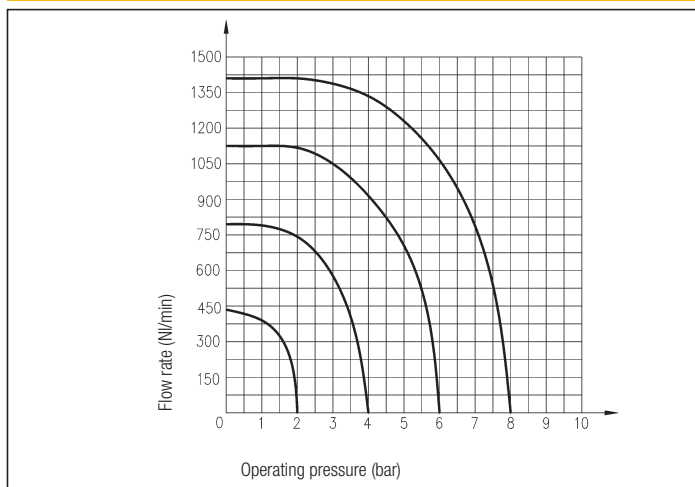
## TECHNICAL DATA

Operating pressure	0 ÷ 10 bar (with direct acting valves) 2,5 ÷ 10 bar (with pilot assisted valves)
Working temperature	0 ÷ +50 °C (-10°C with dry air)
Fluid	Compressed air, filtered, continuous lubricated, unlubricated or dry lubricated
Port size	G 1/8 - G 1/4
Nominal diameter	G 1/8 = 6 mm G 1/4 = 8,5 mm

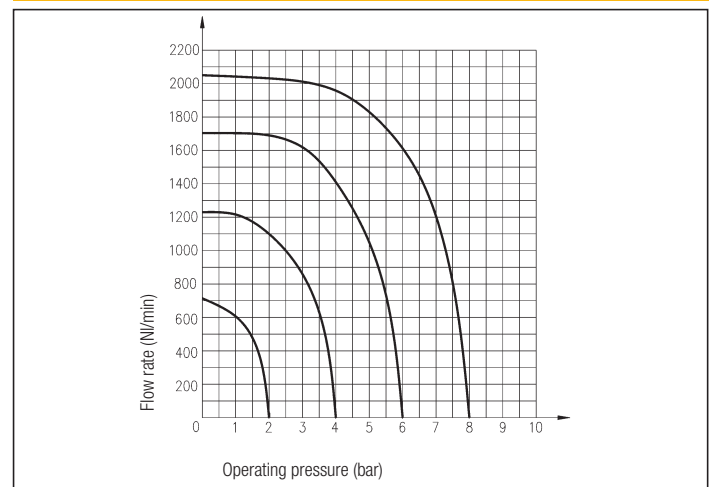
## MATERIALS

Control rod	Hardened and nickel - plated steel – nickel - plated brass
Body	Anodized aluminium alloy
Spool	Aluminium alloy
Springs	Stainless steel
Seals	NBR rubber
Protection cover	Die - cast aluminium - Plastic material
Safety device	Plastic material
Catch	Plastic material
Control lever	Press-forged aluminium - Plastic material

## FLOW CHART - PC G 1/8 - 5/2



## FLOW CHART - PC G 1/4 - 5/2



### PEDAL ACTUATED VALVES G 1/8 - G 1/4

Symbol	Function	Protection	Actuation	Flow rate at 6 bar $\Delta P = 1$ bar (Nl/min)	Weight (g)	Port size	TYPE*
	3/2 N.O. monostable	-	Direct acting	740	565	G 1/8	AP8
				950	700	G 1/4	AP4
	3/2 N.C. monostable	-	Direct acting	815	570	G 1/8	CP8
				950	700	G 1/4	CP4
	3/2 N.C. monostable	-	Direct acting	815	570	G 1/8	FCP8*
	3/2 N.O. monostable	-	Direct acting	900	970	G 1/4	PNP4
	3/2 N.O. bistable	-	Direct acting	900	970	G 1/4	PNP4/F
	5/2 monostable	-	Direct acting	900	1020	G 1/4	PNPCA4
	5/2 bistable	-	Direct acting	900	1020	G 1/4	PNPCA4/F
	5/3 monostable closed centre	-	Direct acting	780	1020	G 1/4	PNPCA4/S
	5/3 stable closed centre	-	Direct acting	780	1020	G 1/4	PNPCA4/SF
	5/3 monostable open centre	-	Direct acting	780	1020	G 1/4	PNPCA4/A
	5/3 stable open centre	-	Direct acting	780	1020	G 1/4	PNPCA4/AF
	5/2 with safety device monostable	Plastic	Pilot assisted	900	1350	G 1/4	PCA4

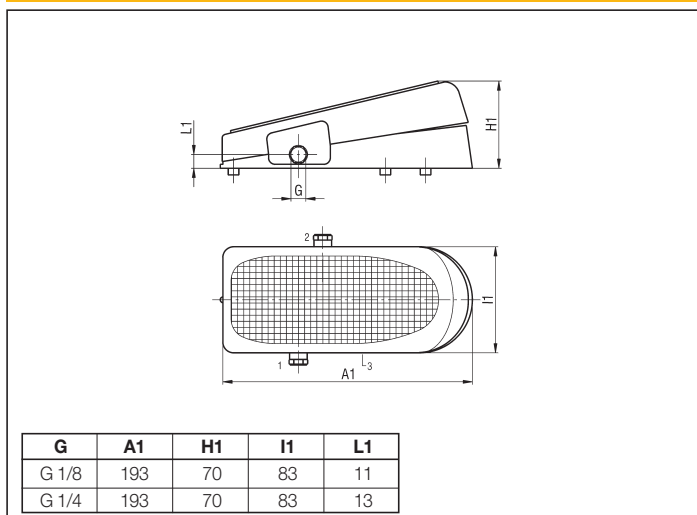
\* THE WAYS AREN'T COMMUNICATING IN THE INTERMEDIATE PHASE OF ACTUATION

PEDAL ACTUATED VALVES G 1/8 - G 1/4

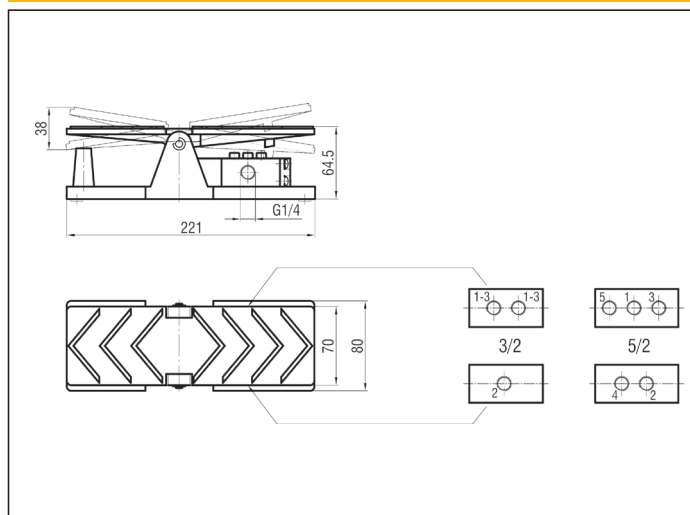
Symbol	Function	Protection	Actuation	Flow rate at 6 bar $\Delta P = 1$ bar (Nl/min)	Weight (g)	Port size	TYPE
	5/2 with safety device bistable	Plastic	Pilot assisted	900	1350	G 1/4	PCA4/F
	5/2 with safety device monostable	Metallic	Pilot assisted	900	1750	G 1/4	PCA4M
	5/2 with safety device bistable	Metallic	Pilot assisted	900	1750	G 1/4	PCA4M/F

3

AP8 - AP4 - CP8 - CP4 - FCP8



3/2 - 5/2 - 5/3 BALANCING WITHOUT PROTECTION - PNP



5 PORT PLASTIC AND METALLIC PROTECTION - PCA

