

DESCRIPTION

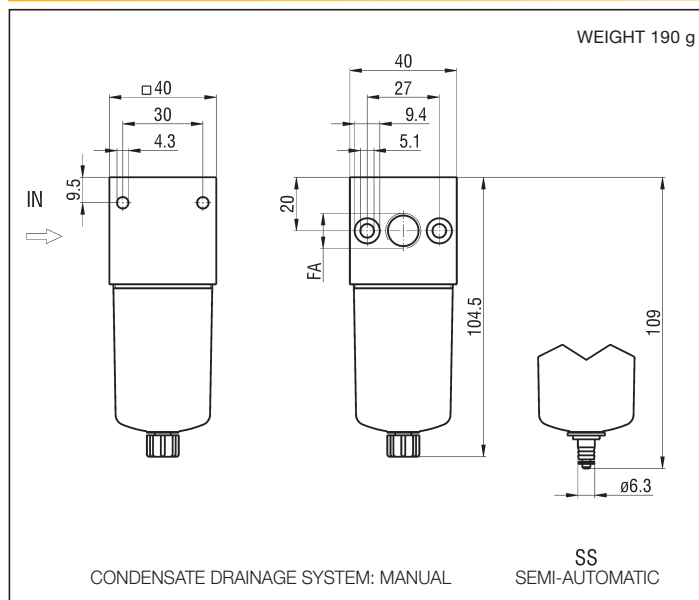
Filters series "UZF" are produced with connections G 1/4; they are available with various degrees of filtration and with manual or semi-automatic condensate drainage system. The techno-polymer bowls can carry a metallic protection or being entirely metallic (without visualization of level). They are in compliance with ATEX directive, 2GD category, upon request.

TECHNICAL DATA

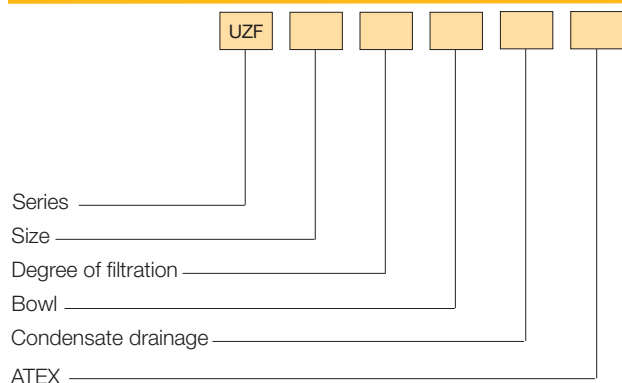
Maximum pressure	16 bar
Working temperature	0 ÷ +50 °C (-10 °C with dry air)
Fluid	Compressed air
Port size	G 1/4
Void fraction	20 µm standard, 5 µm and 40 µm upon request
Condensate drainage system	Manual or semi-automatic
Max. condensate capacity	9 cm ³ (do not exceed the level gauge)
Type of mounting	Modular, in-line and wall-mounting
Wall clamping screws	M4x50

4

DIMENSIONS AND WEIGHT - UZF G 1/4



ORDER KEY



SPARE PARTS

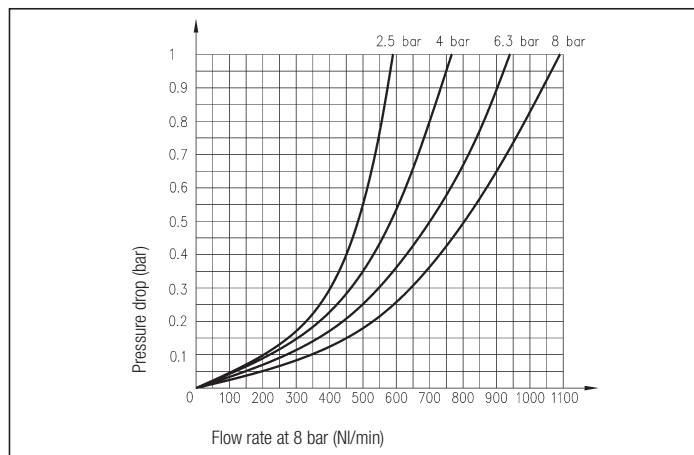
Metallic protection	UZ/PM
Metallic bowl with manual drain	UZ/TM/R
Metallic bowl with semi-automatic drain	UZ/TM/R/SS
Techno-polymer bowl with manual drain	UZF/SG/3
Techno-polymer bowl with semi-automatic drain	UZF/SG/3/SS
Filter cartridge 5 µm	UZF/SG/1
Filter cartridge 20 µm	UZF/SG/2
Filter cartridge 40 µm	UZF/SG/4



MATERIALS

Body	Aluminium alloy
Bowl	Transparent techno-polymer with metallic protection or entirely metallic bowl (without visualization of level)
Filtering element	Sintered polyethylene 5 µm - orange 20 µm - white 40 µm - grey
Seals	NBR rubber
Baffle	Acetal resin

FLOW CHART - UZF



SIZE

4 G 1/4

DEGREE OF FILTRATION

/5 5 µm /20 20 µm
/40 40 µm

BOWL

Transparent PM Metallic protection
TM Metallic

CONDENSATE DRAINAGE SYSTEM

Manual /SS Semi-automatic

ATEX

/EX Consistent with the ATEX directive Ex II 2GD c T5 T100°C -10°C ≤ Ta ≤ 50°C*