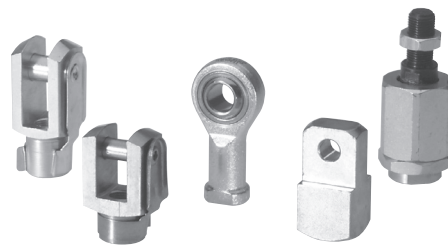
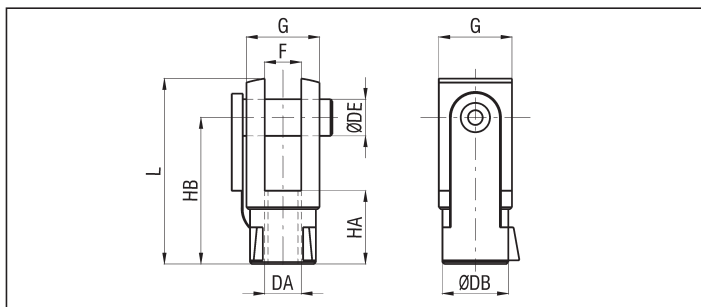


DESCRIPTION

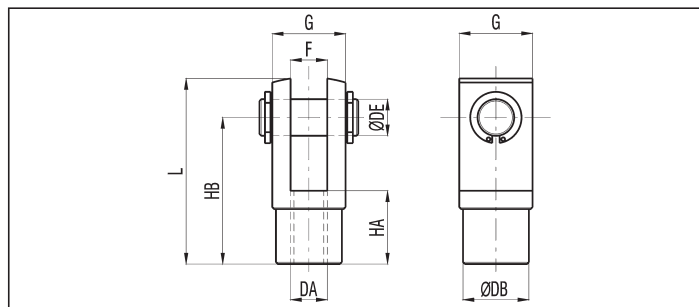
Steel and AISI 303 stainless steel cylinders piston rod attachments, produced according to standards that regulate cylinders manufacturing, allow the cylinder piston rod to couple with the corresponding system that has to be enlivened.



FEMALE PISTON ROD CLEVIS WITH CLIPS TO ISO 8140 STEEL/STAINLESS STEEL - M4 ÷ M20 X 1,5



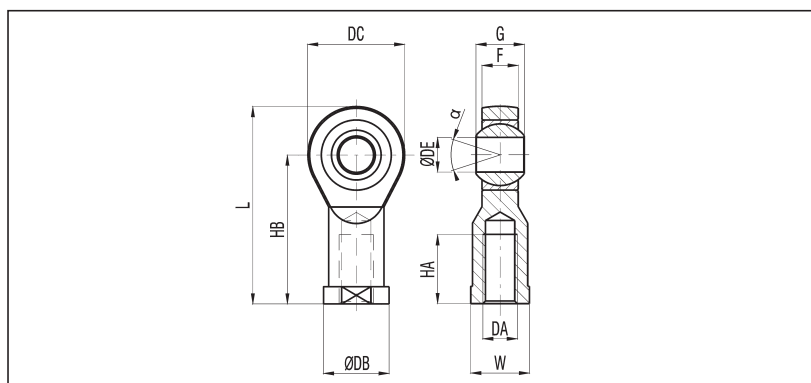
FEMALE PISTON ROD CLEVIS WITH PIN AND SNAP RING TO ISO 8140 - STEEL/STAINLESS STEEL - M4 ÷ M36 X 2



DIMENSIONS AND WEIGHTS

DA	DB	DE	F B12	G	HA	HB	L	WEIGHT (g)	CYLINDER SERIES and Ø				STEEL TYPE WITH CLIPS	STEEL TYPE WITH PIN	STAINLESS STEEL TYPE WITH PIN	
									U-AU	P-AP	BX-ABX-BU	CPU-AX-X-XT				XL
M4	8	4	4	8	8	16	21	10	8-10					FF4		
M6	10	6	6	12	12	24	31	18	12-16					FF6	FFP6	A/FFP6
M8	14	8	8	16	16	32	42	20						FF8	FFP8	A/FFP8
M10x1,25	18	10	10	20	20	40	52	90	25	32	20÷40	32		FF10x1,25	FFP10x1,25	A/FFP10x1,25
M12x1,25	20	12	12	24	24	48	62	130		40	50-63	40		FF12x1,25	FFP12x1,25	A/FFP12x1,25
M16x1,5	26	16	16	32	32	64	83	330		50-63	80	50-63		FF16x1,5	FFP16x1,5	A/FFP16x1,5
M20x1,5	34	20	20	40	40	80	105	650			100	80-100		FF20x1,5	FFP20x1,5	A/FFP20x1,5
M27x2	48	30	30	55	54	110	148	2100					125		FFP27x2	A/FFP27x2
M36x2	60	35	35	70	72	144	188	3900				160-200			FFP36x2	A/FFP36x2
M42x2	70	40	40	85	84	168	232	5300					250		FFP42x2	
M48x2	82	50	50	96	96	192	265	7900					320		FFP48x2	

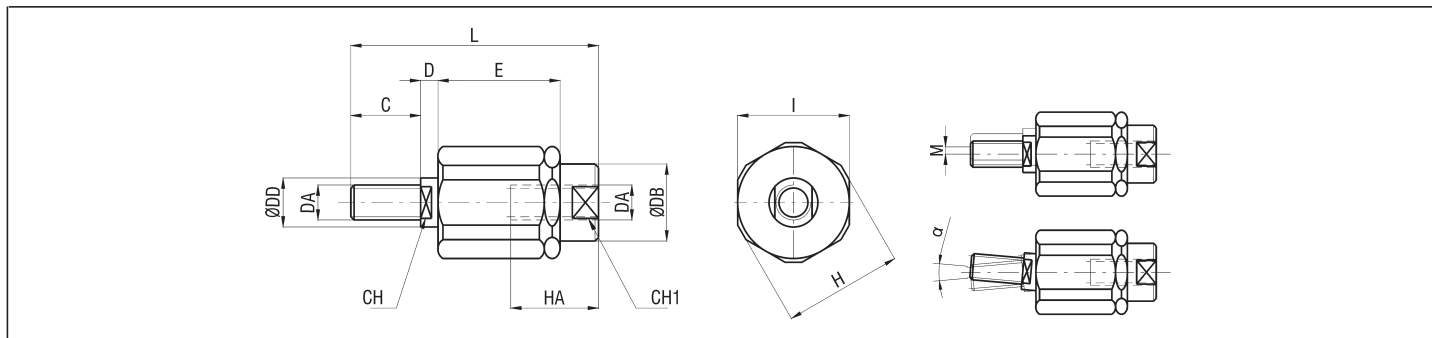
SELF-LUBRICATING PISTON ROD EYE TO DIN ISO 12240 STANDARD - STEEL



DIMENSIONS AND WEIGHTS

DA	DB	DC H7	DE	F	G	HA	HB	L	W	α	WEIGHT (g)	CYLINDER SERIES and Ø				STEEL TYPE
												U-AU	P-AP	BX-ABX-BU	CPU-AX-X-XT	
M4	11	18	5	6	8	10	27	36	9	13	18	8-10				FF4/SS*
M6	13	20	6	6,75	9	12	30	40	11	13	26	12-16				FF6/SS*
M8	16	24	8	9	12	16	36	48	14	14	46	20				FF8/SS*
M10x1,25	19	28	10	10,5	14	20	43	57	17	13	76	25	32	20÷40	32	FF10x1,25/SS*
M12x1,25	22	32	12	12	16	22	50	66	19	13	110		40	50-63	40	FF12x1,25/SS*
M16x1,5	27	42	16	15	21	28	64	85	22	15	220		50-63	80	50-63	FF16x1,5/SS*
M20x1,5	34	50	20	18	25	33	77	102	30	14	409			100	80-100	FF20x1,5/SS*
M27x2	50	70	30	25	37	51	110	145	41	17	1200				125	FF27x2/SS
M36x2	58	80	35	28	43	56	125	165	50	16	1600				160-200	FF36x2/SS
M42x2	65	91	40	33	49	60	142	187	55	17	2400				250	FF42x2/SS
M48x2	75	117	50	45	60	65	160	218	65	12	5000				320	FF48x2/SS

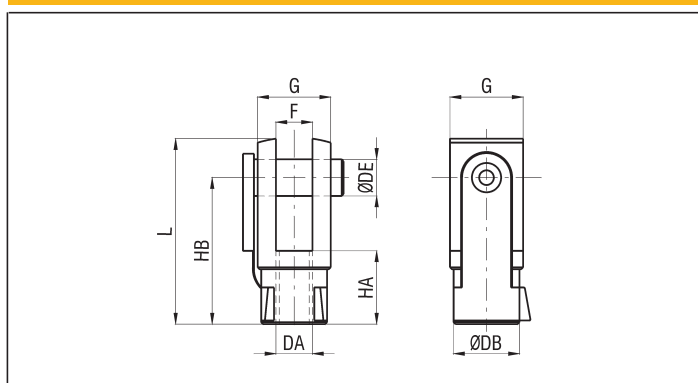
SELF-ALIGNING ROD COUPLER - ZINC-PLATED STEEL



DIMENSIONS AND WEIGHTS

DA	C	CH	CH1	D	DB	DD	E	H	HA	I	L	M	α	WEIGHT (g)	CYLINDER SERIES and Ø				TYPE	
															U	P	BX-BU	CPU-X-XT		XL
M6	11	5	7	2,5	8,5	6	17,5	14,5	12,5	13	35	1	6	25	12-16					FF6/SA
M8	21	7	11	5	12,5	8	26,5	19	16	17	57	2	8	60	20					FF8/SA
M10x1,25	20	12	19	7,5	22	14	35	32	22	30	71,5	2	8	220	25	32	20÷40	32		FF10x1,25/SA
M12x1,25	24	12	19	7,5	22	14	35	32	22	30	75,5	2	8	230		40	50-63	40		FF12x1,25/SA
M16x1,5	32	20	27	10	32	22	53	45	30	41	104	2	6	660		50-63	80	50-63		FF16x1,5/SA
M20x1,5	40	20	27	10	32	22	53	45	37	41	119	2	6	700			100	80-100		FF20x1,5/SA
M27x2	54	24	54	10	57	32	60	70	48	65	147	2	8	2600					125	FF27x2/SA
M36x2	72	32	54	15,5	57	39	77	75	68	70	190	2	8	3110					160-200	FF36x2/SA

FEMALE PISTON ROD CLEVIS WITH CLIPS FOR CYLINDER SERIES HB TO DIN 71752 STANDARD - STEEL

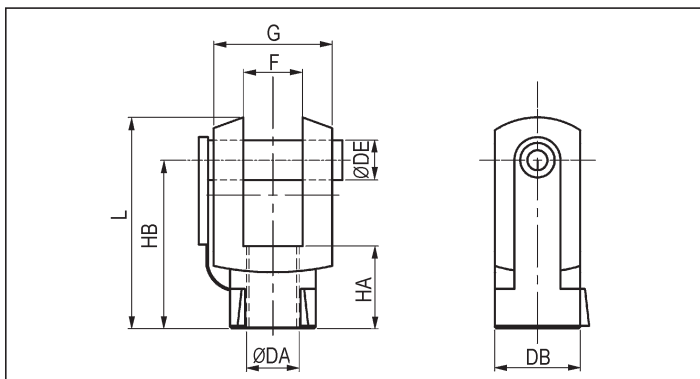


DIMENSIONS AND WEIGHTS

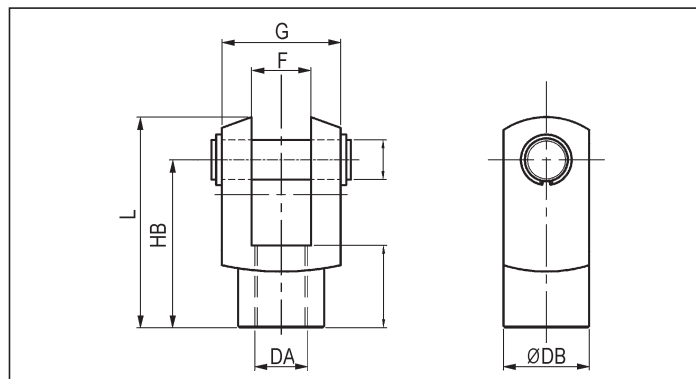
DA	DB	DE	F B12	G	HA	HB	L	WEIGHT (g)	CYLINDER SERIES HB	TYPE WITH CLIPS
									Ø	
M6	10	6	6	12	12	24	31	18	20	FF6
M8	14	8	8	16	16	32	42	42	27	FF8
M10	18	10	10	20	20	40	52	90	35-40	HB/FF10
M12	20	12	12	24	24	48	62	130	50	HB/FF12
M14	24	14	14	27	28	56	72	230	58	HB/FF14
M16	26	16	16	32	32	64	83	330	70	HB/FF16
M18	26	16	16	32	32	64	83	330	85	HB/FF18
M20	34	20	20	40	40	80	105	650	100	HB/FF20

1

FEMALE PISTON ROD CLEVIS WITH CLIPS TO EX CNOMO 06 07 14 STANDARD - STEEL - M 10 ÷ M 27 X 2



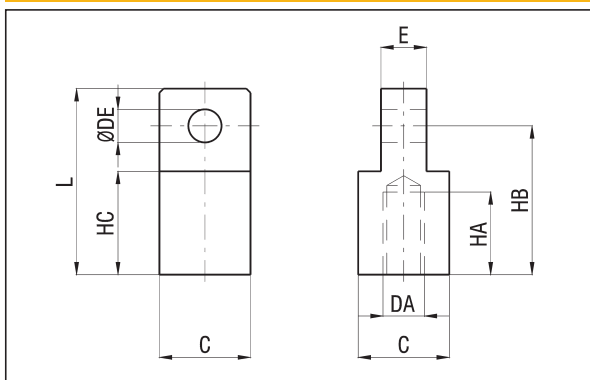
FEMALE PISTON ROD CLEVIS WITH PIN AND SNAP RING TO EX CNOMO 06 07 14 STANDARD - STEEL - M 10 ÷ M 36 X 2



DIMENSIONS AND WEIGHTS

DA	DB	DE	F B12	G	HA	HB	L	WEIGHT (g)	CYLINDER SERIES CX Ø	TYPE WITH CLIPS	TYPE CON PIN
M10	18	8	11	22	20	36	45	80	32	CX/FF10	CX/FFP10
M16x1,5	26	12	18	36	26	51	64	210	40-50	CX/FF16x1,5	CX/FFP16x1,5
M20x1,5	34	16	22	45	30	63	80	440	63-80	CX/FF20x1,5	CX/FFP20x1,5
M27x2	42	20	30	63	45	85	105	910	100-125	CX/FF27x2	CX/FFP27x2
M36x2	50	25	40	80	75	115	140	1800	160-200	-	CX/FFP36x2

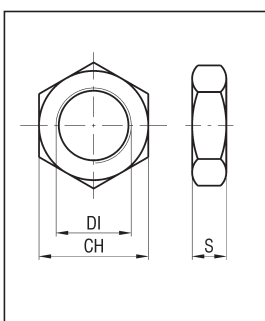
MALE PISTON ROD CLEVIS TO ex CNOMO 06 07 15 STANDARD - STEEL



DIMENSIONS AND WEIGHTS

C	DA	DE H8	E f8	HA	HB H13	HC	L	WEIGHT (g)	CYLINDER SERIES CX Ø	TYPE
22	M10	8	11	20	36	25	45	30	32	CX/FM10
32	M16x1,5	12	18	30	51	34	64	100	40-50	CX/FM16x1,5
36	M20x1,5	16	22	36	63	41	80	140	63-80	CX/FM20x1,5
45	M27x2	20	30	50	85	58	105	320	100-125	CX/FM27x2
63	M36x2	25	40	70	115	81	140	870	160-200	CX/FM36x2

ROD NUT STEEL/STAINLESS STEEL



DIMENSIONS AND WEIGHTS

DI	CH	S	WEIGHT (g)	CYLINDERS SERIES and Ø							TYPE STEEL	TYPE STAINLESS STEEL	
				U-AU	P-AP	BX-ABX-BU	CX	CPU-AX-X-XT	XL	B+NIPLO			
M4	7	3	0,8	8-10								DST4	DSTI4
M6	10	4	1,48	12-16							12-16	DST6	DSTI6
M8	13	5	4	20							20-25	DST8	DSTI8
M10x1,25	17	6	8,6	25	32	20÷40					32-40	DST10x1,25	DSTI10x1,25
M10	17	6	8,6				32					DST10	DSTI10
M12x1,25	19	7	12,1		40	50-63					40	DST12x1,25	DSTI12x1,25
M16x1,5	24	8	20,1		50-63	80	40-50	50-63	50-63	G50÷80	50-63	DST16x1,5	UPDT16
M20x1,5	30	9	36,3			100	63-80	80-100	80-100	100	100	DST20x1,5	DSTI20x1,5
M27x2	41	12	90				100-125				125	DST27x2	DSTI27x2
M36x2	55	15	190				160-200				160-200	DST36x2	DSTI36x2
M42x2	65	16	307								250	DST42x2	
M48x2	75	18	460								320	DST48x2	