

DIGITAL/ANALOG PRESSURE SWITCH SERIES PRDA1

This series of switches has been expressly designed for the pressure detection of a wide range of fluids with elevate accuracy and resolution. This series has both digital and/or analog outputs and an integrated display with a frontal interface including three buttons to programme different functions (all described in the documentation that goes with the item) among which:

- setting the unit of measurement of the pressure;
- managing the outputs No.1 and No.2, depending on the set pressures.

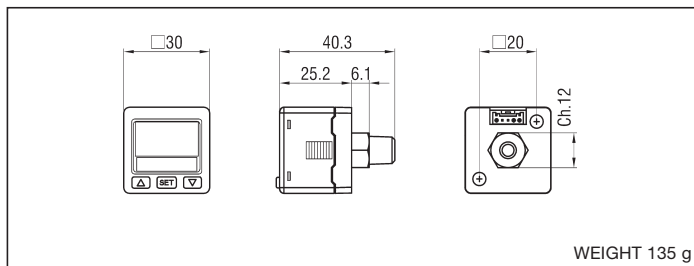
This pressure switch, thanks to the very compact dimensions and to the 3 1/2 digit led display, is a very versatile item and suitable for the majority of the applications with not corrosive and incombustible gases, and with air. It is supplied completed with front protection cover and panel mounting system type SFPR1.



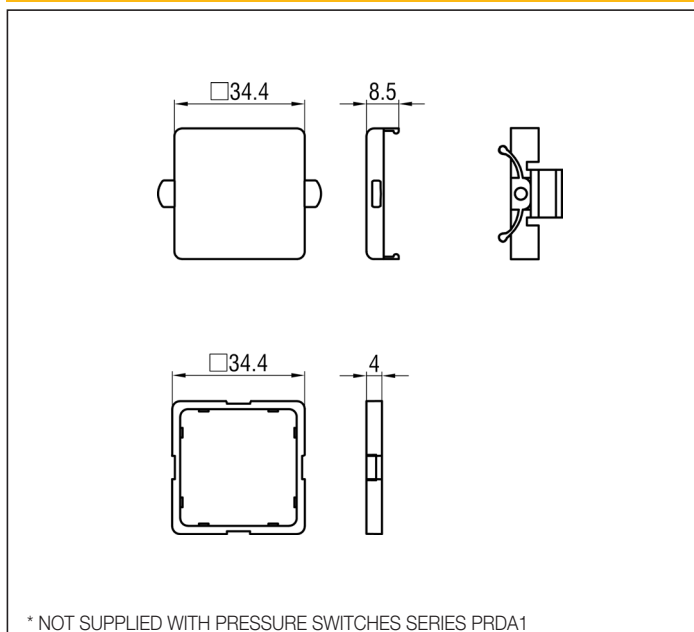
TECHNICAL DATA

Working temperature	0 ÷ +50 °C
Operating/setting pressure	-1 ÷ 10 bar (only display) 0 ÷ 10 bar (outputs)
Power supply voltage	DC: 12 ÷ 24 V ± 10%
Fluid	Air; not corrosive and incombustible gases
Max. load current	125 mA
Average current consumption	40 mA (with no load)
Protection class	IP 40
Response time	< 2.5 ms
Display accuracy	<± 2% F.S. ± 1 digit
Analog output	1 ÷ 5 V < ± 2.5%
Linearity analog output	± 1% F.S.
Display resolution	3 1/2 digit 7 segments LED (sampling frequency: 5 Hz)
Switch output	PNP; (NPN on request)
Unit of measurement	MPa, kgf/cm ² , bar, psi
Hysteresis	Manually adjustable between the 1 to 10% of the rated pressure, or automatically arranged approximately to the 3% F.S.

DIMENSIONS AND WEIGHT - PRDA1



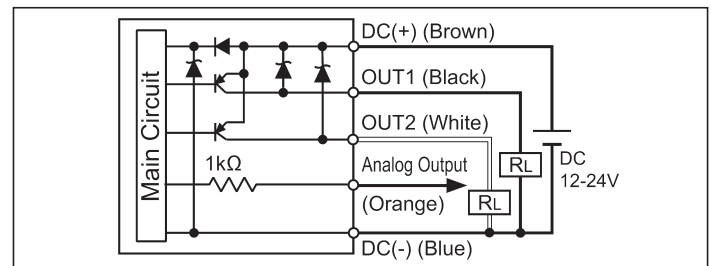
PROTECTION COVER AND PANEL MOUNTING SYSTEM SFPR1*



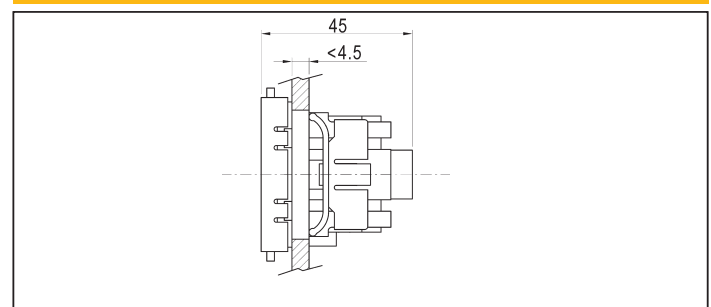
MATERIALS

Parts in contact with measured fluid	Carbon steel
Lead wire	5-conductors oil-proof cable
Electric connections	Brown: DC + Blue: DC - Black: OUT 1 White: OUT 2 Orange: Analog output

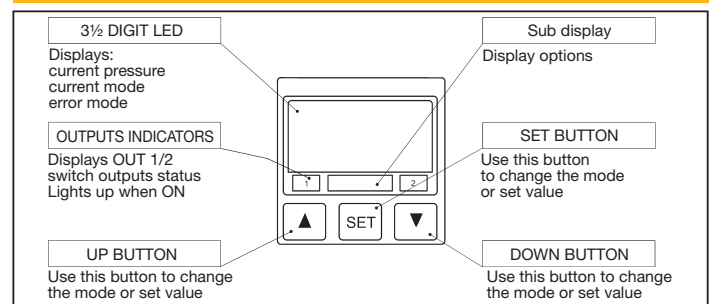
INTERNAL CIRCUIT AND WIRING - PNP



TOTAL DIMENSIONS WITH SFPR1

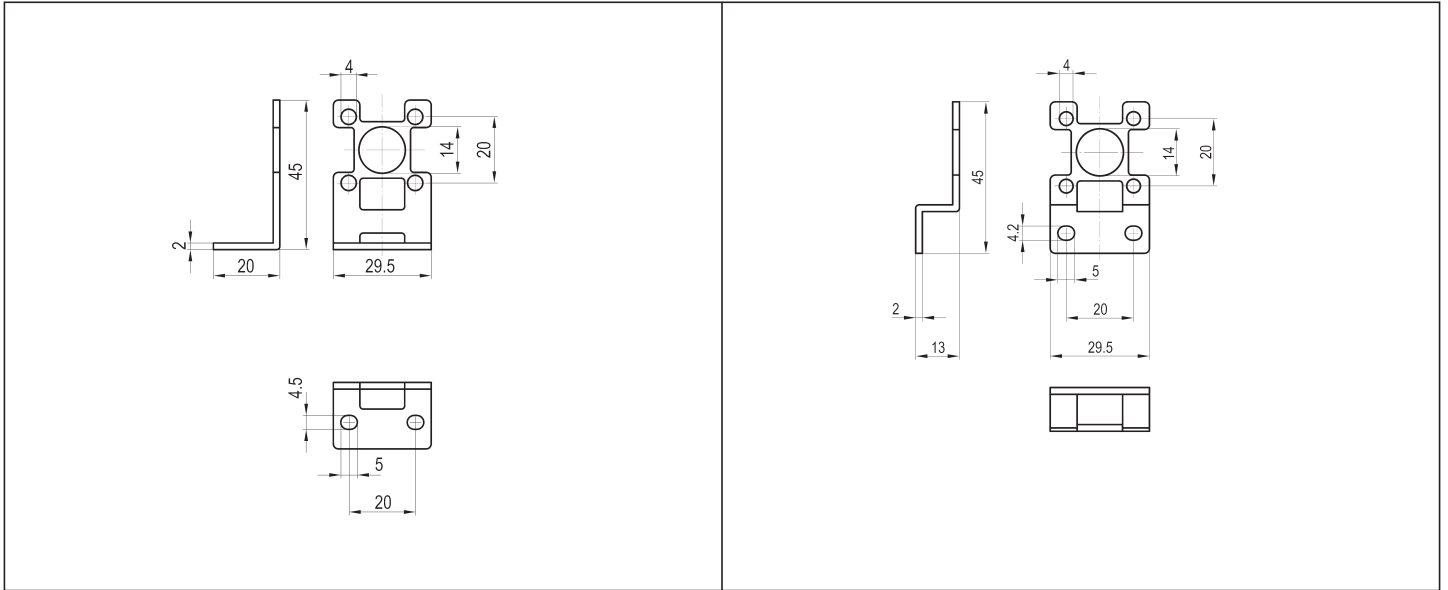


FRONTAL INTERFACE PRDA1



4

FIXING BRACKETS STPR1 (pair)



DIAPHRAGM PRESSURE SWITCH SERIES PRC-PRA

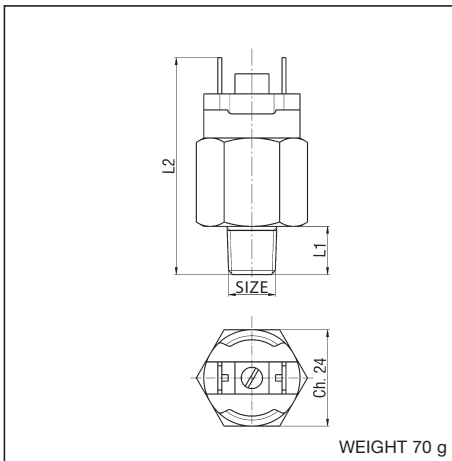
TECHNICAL DATA

Max. switched voltage	48 V AC - DC
Max. switched current	0,5 A
Max. fluid temperature	80 ÷ 120 °C
Adjusting range	1 ÷ 10 bar
Static overpressure	80 bar
Tolerance at 20 °C	0,5 bar
Hysteresis	6 ÷ 10% of setting value
Max. number of insertions	200 per minute

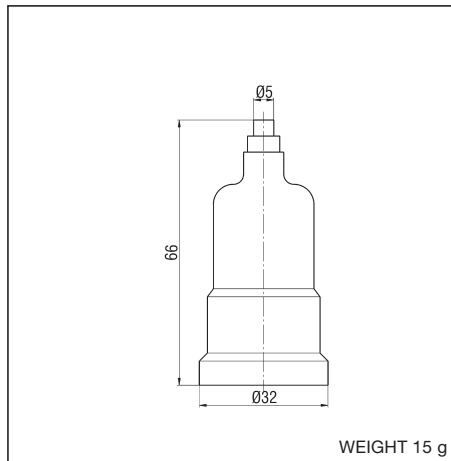
MATERIALS

Body	Brass
Diaphragm	FPM (Viton®)
Fixed contact	Silver
Moving contact	Phosphorous bronze with silver contact

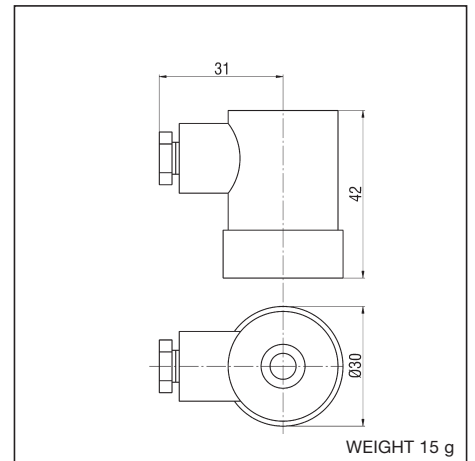
PRC - PRA



CONNECTOR (protection class IP54) - CN/PR54



CONNECTOR (protection class IP65) - CN/PR65



Symbol N.C.	Size	L1	L2	TYPE
	G 1/8	10	51	PRC8
	G 1/4	12	53	PRC4

Symbol N.O.	Size	L1	L2	TYPE
	G 1/8	10	51	PRA8
	G 1/4	12	53	PRA4