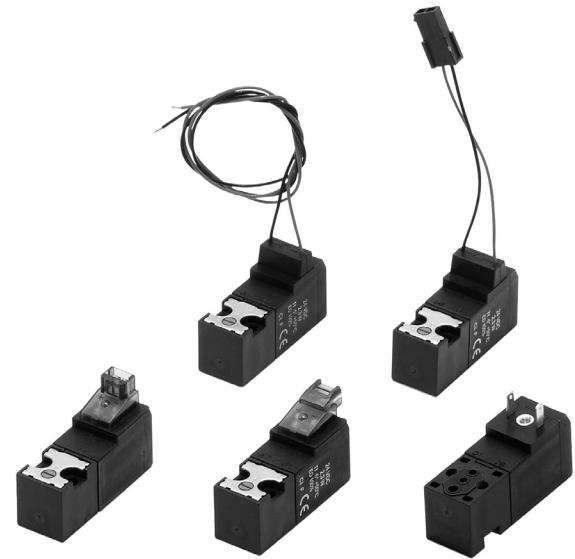


DESCRIPTION

The direct acting solenoid valves series "UM" are produced in the 3/2 and 2/2 N.C. /N.O. pneumatic functions. They are used as power valves if mounted on single and multi-station base, or as control valves if mounted, in the 3/2 pneumatic function, on body valves series "SK", "MEV", "MEK", or "UK". These valves can be used with all the fluids that can match the constructive materials. The multi-station bases support both the 3/2 N.O. than the 3/2 N.C. pneumatic functions. They can comply with ATEX directive, 3GD category, upon request.

TECHNICAL DATA

Nominal diameter	0,8 mm	1.1 mm (standard)	1.6 mm
Flow rate 1-2 at 6 bar Δp=1	20 NI/min	30 NI/min	50 NI/min
Flow rate 2-3 at 6 bar Δp=1	35 NI/min (20 N.O.)	30 NI/min	50 NI/min
Operating pressure	0 ÷ 10 bar	0 ÷ 10 bar	0 ÷ 7 bar DC only N.C. 0 ÷ 5 bar AC (N.O. and N.C.)
Working temperature	-5 ÷ +50 °C		
Fluid	Filtered, unlubricated, continuous lubricated or dry compressed air		
Max. operating frequency	≤30 Hz		
Coil	Adjustable		
Voltages	DC: 24 V	DC: 12 - 24 V AC: 24 110 - 220 V	
Power consumption	DC: 1 W	DC: 2.5 W AC: 2.8 VA (inrush) - 2.5 VA (holding)	
Voltage tolerance	-5 ÷ +10%		
Protection class	IP 51 - IP 65 (versions: with embedded cables or standard + connector MEK192/N)		
Insulation class	F (155 °C)		
Duty cycle	Continuous rating (ED 100%)		
Energized	Solenoid with response time = 5 ms		
De-energized	Mechanical spring with response time = 10 ms		
Electric connectors	With faston: series MEK1 92/N - see chapter connectors on page 2.18 With 90° and in-line connectors: series CN - see chapter connectors on page 2.6		

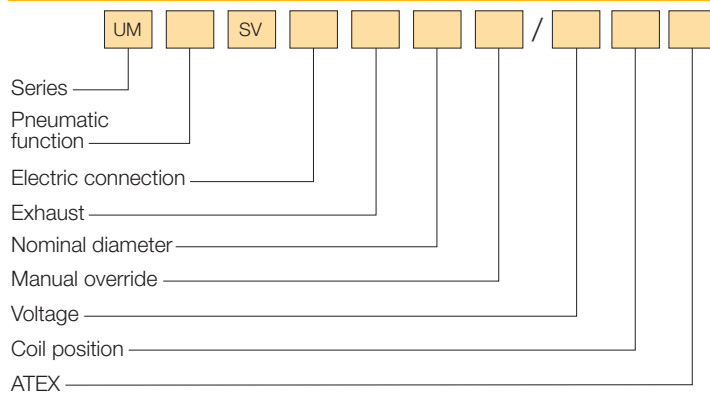


2

MATERIALS

Core	Stainless steel
Body and manual override	PA and POM
Springs	Stainless steel
Seals	NBR and FKM rubber

ORDER KEY



PNEUMATIC FUNCTION

2A	2/2 N.O.	2C	2/2 N.C.
A	3/2 N.O.	C	3/2 N.C.

ELECTRIC CONNECTION

With faston (standard)

OPTIONS

- 1 90° connector + bipolar LED and diode
- 2 Cable length 300 mm
- 3 Line connector + bipolar LED and diode
- 4 90° Connector
- 5 Line connector
- 7 Cable length 100 mm + Tyco® MODU II connector code 280358-0

EXHAUST

Channeled (standard)	L Free (only 3/2 N.C.)
----------------------	------------------------

NOMINAL DIAMETER

D	1.1 mm (standard)	B	1.6 mm
	N.C.= 0,8 mm (1->2) 1,1 mm (2->3) -- N.O.= 0,9 mm (1->2) 0,8 mm(2->3)		

MANUAL OVERRIDE

F	Monostable push button (standard)	E	Without manual override and M3 insert
H	Without manual override	G	Without M3 insert
	Bistable screw driver slot		

VOLTAGE

01200	12V DC	02400	24V DC
02450-60	24V AC	11050-60	110V AC
22050-60	220V AC		

COIL POSITION

Standard	180 Rotated 180°
----------	------------------

ATEX*

/EX Consistent with the ATEX directive  II 3G h Ex nA IIC T5 Gc -5°C ≤ Ta ≤ 50°C
II 3D h Ex tc IIIC T100°C IP65 Dc

* Only with: cable 300 mm length and faston

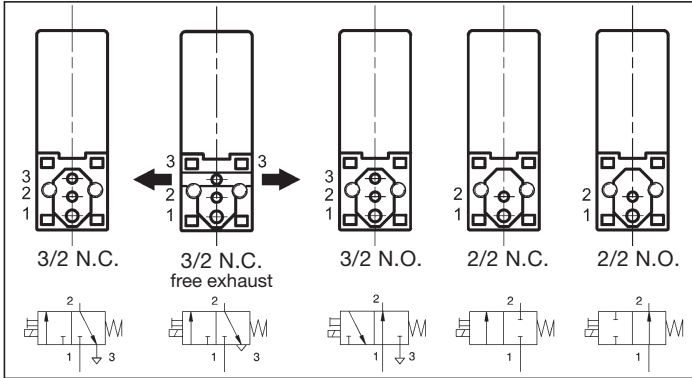
ORDER EXAMPLE

15 mm 3/2 N.C. valve with faston, channeled exhaust, nominal diameter 1.1 mm, monostable push button, 24 V DC with standard coil position: **UMCSV/02400**

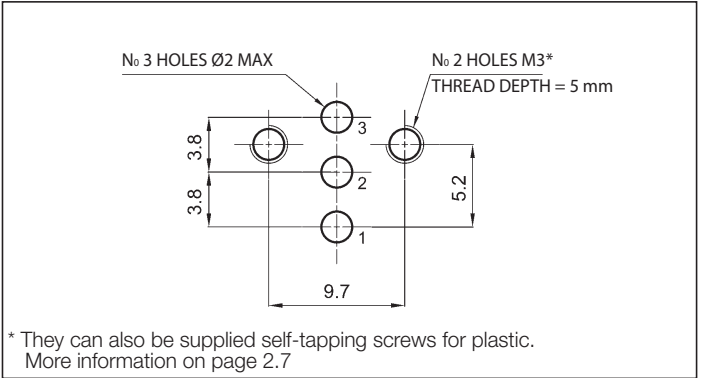
series UM

Direct acting solenoid valves 15 mm

PNEUMATIC FUNCTIONS

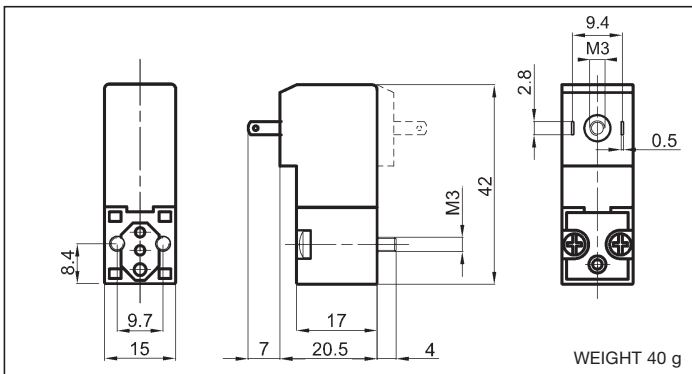


INTERFACE DIMENSIONS

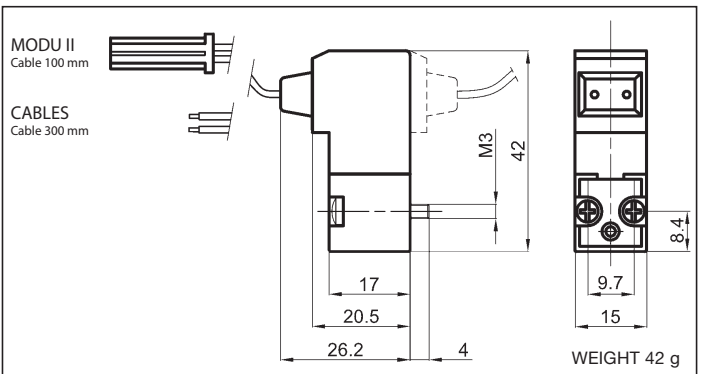


DIMENSIONS

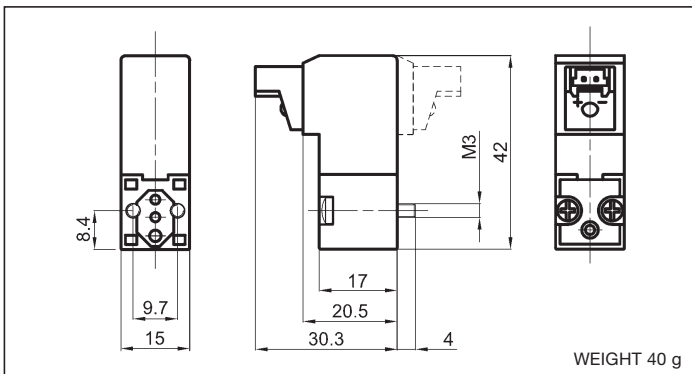
WITH FASTON FOR MEK1 92/N CONNECTOR



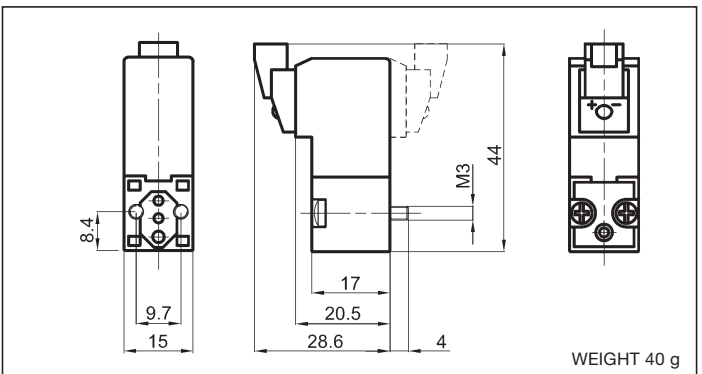
WITH CABLES



WITH 90° CONNECTOR



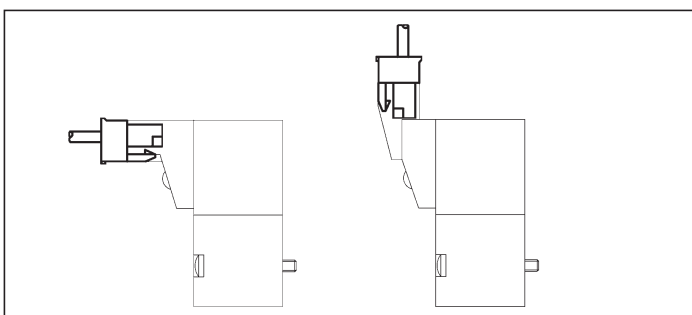
WITH IN-LINE CONNECTOR



series CN

Connectors for solenoid valves 10 mm and 15 mm

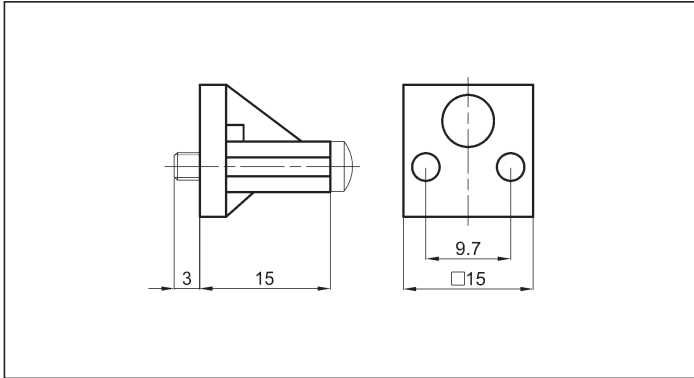
CONNECTOR FOR SOLENOID VALVES WITH 90° CONNECTION OR IN-LINE CONNECTION



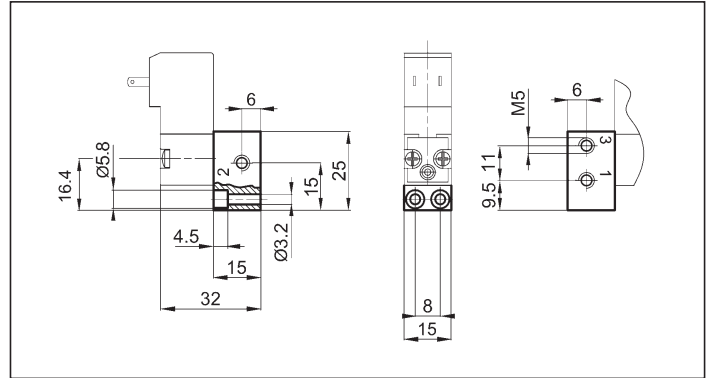
CABLE LENGTH

300	Cable length 300 mm
500	Cable length 500 mm
1000	Cable length 1000 mm

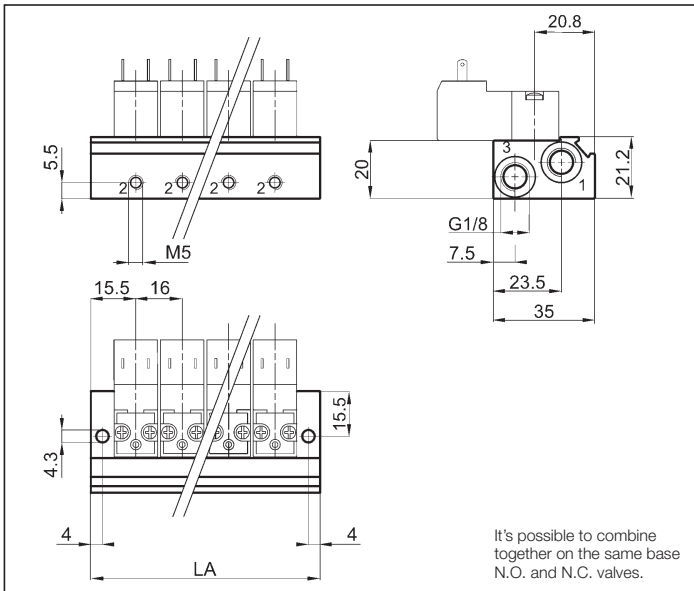
CLOSING PLATE - KIT/PC/UM



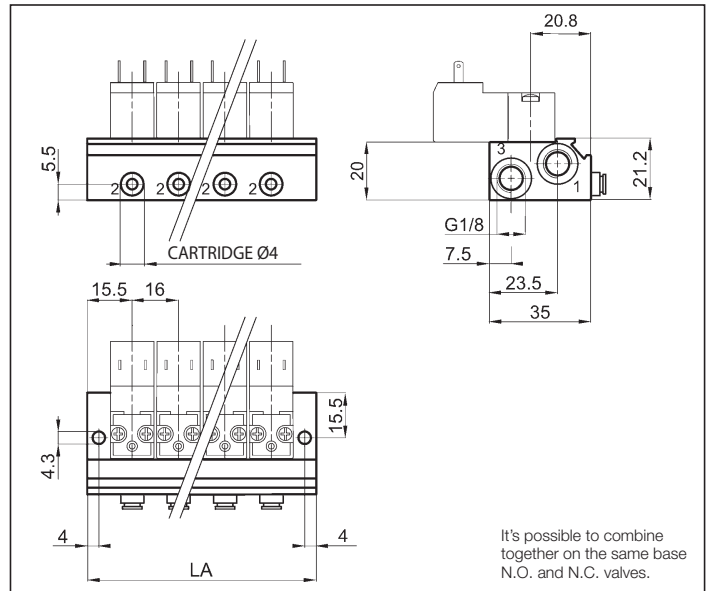
SINGLE BASE M5 - UMP5/1



MULTI -STATION BASE M5 - UMPM5



MULTI -STATION BASE WITH CARTRIDGE Ø4 mm UMP4-2



No. of stations	2	3	4	5	6	7	8	9	10
LA	47	63	79	95	111	127	143	159	175
Weight (g)	70	95	120	145	170	195	220	245	270
TYPE	UMP4-2/2	UMP4-2/3	UMP4-2/4	UMP4-2/5	UMP4-2/6	UMP4-2/7	UMP4-2/8	UMP4-2/9	UMP4-2/10
Weight (g)	75	100	125	150	175	200	225	250	275
TYPE	UMP4-2/2	UMP4-2/3	UMP4-2/4	UMP4-2/5	UMP4-2/6	UMP4-2/7	UMP4-2/8	UMP4-2/9	UMP4-2/10

SELF-TAPPING SCREWS FOR PLASTIC

DESCRIPTION

It's possible to order the solenoid valves with self-tapping screws for plastic instead of the standard screws (metric). Drilling fixing dimensions are approximate and we always recommend to run some assembly test. To order valves with self-tapping screws, specify it when ordering by adding the suffix **"P"** to the order key of the **DM** and **UM** series. Only for DM series: to order valves with thread forming screws, specify it when ordering by adding the suffix **"T"** to the order key.

DRILLING SCHEME

